

## TGS 816 - for the detection of Combustible Gases

### Features:

- \* General purpose sensor with sensitivity to a wide range of combustible gases
- \* High sensitivity to methane, propane, and butane
- \* Long life and low cost
- \* Ceramic base resistant to severe environment

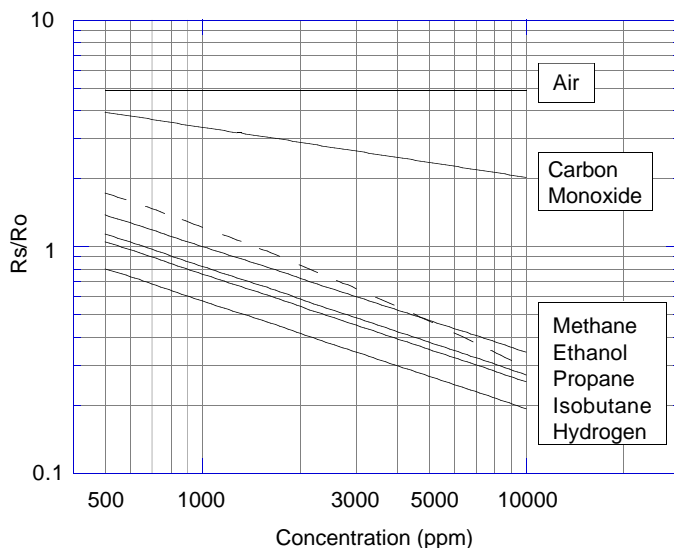
The sensing element of Figaro gas sensors is a tin dioxide ( $\text{SnO}_2$ ) semiconductor which has low conductivity in clean air. In the presence of a detectable gas, the sensor's conductivity increases depending on the gas concentration in the air. A simple electrical circuit can convert the change in conductivity to an output signal which corresponds to the gas concentration.

The **TGS 816** is not only sensitive to a wide range of gases, it also has a ceramic base which can withstand severe environments up to  $200^\circ\text{C}$ . It has high sensitivity to methane, propane, and butane, making it ideal for natural gas and LPG monitoring. The sensor can detect a wide range of gases, making it an excellent, low cost sensor for a variety of applications.

The figure below represents typical sensitivity characteristics, all data having been gathered at standard test conditions (see reverse side of this sheet). The Y-axis is indicated as sensor resistance ratio ( $R_s/R_o$ ) which is defined as follows:

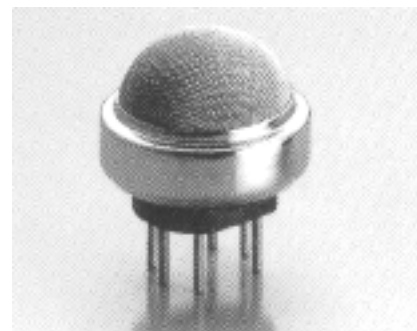
- $R_s$  = Sensor resistance of displayed gases at various concentrations
- $R_o$  = Sensor resistance in 1000ppm methane

### Sensitivity Characteristics:



### Applications:

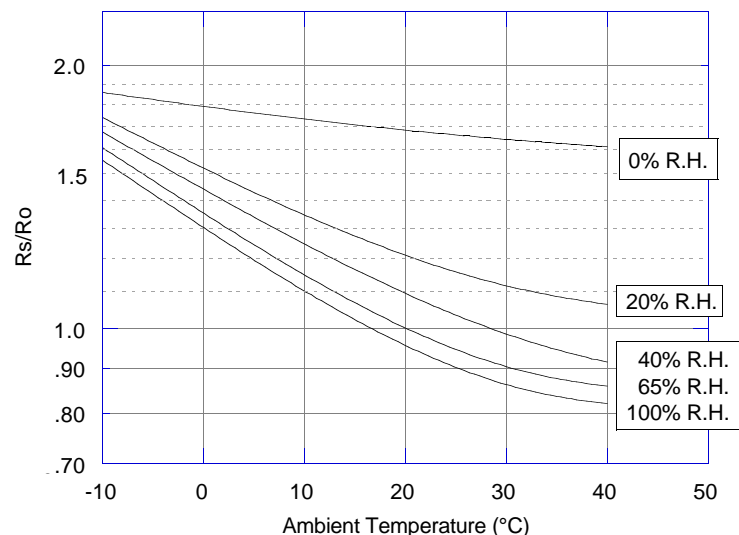
- \* Domestic gas leak detectors and alarms
- \* Portable gas detectors



The figure below represents typical temperature and humidity dependency characteristics. Again, the Y-axis is indicated as sensor resistance ratio, defined as follows:

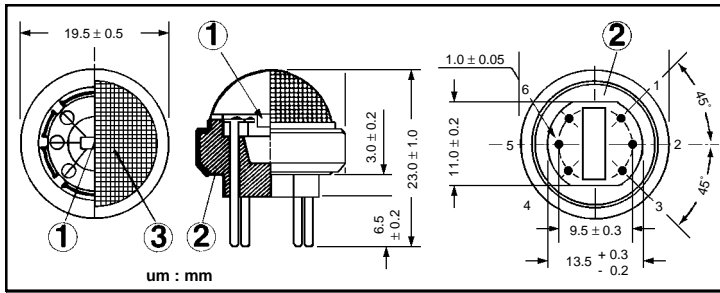
- $R_s$  = Sensor resistance at 1000ppm of methane at various temperatures/humidities
- $R_o$  = Sensor resistance at 1000ppm of methane at  $20^\circ\text{C}$  and 65% R.H.

### Temperature/Humidity Dependency:



**ApolloSense Ltd**

### Structure and Dimensions:



- ① Sensing Element:  
SnO<sub>2</sub> is sintered to form a thick film on the surface of an alumina ceramic tube which contains an internal heater.
- ② Sensor Base:  
Alumina ceramic
- ③ Flame Arrestor:  
100 mesh SUS 316 double gauze

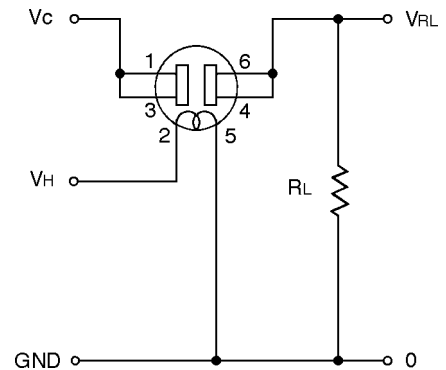
### Pin Connection and Basic Measuring Circuit:

The numbers shown around the sensor symbol in the circuit diagram at the right correspond with the pin numbers shown in the sensor's structure drawing (above). When the sensor is connected as shown in the basic circuit, output across the Load Resistor ( $V_{RL}$ ) increases as the sensor's resistance ( $R_s$ ) decreases, depending on gas concentration.

### Standard Circuit Conditions:

Item	Symbol	Rated Values	Remarks
Heater Voltage	$V_H$	$5.0 \pm 0.2V$	AC or DC
Circuit Voltage	$V_C$	Max. 24V	AC or DC *PS 15mW
Load Resistance	$R_L$	Variable	*PS 15mW

### Basic Measuring Circuit:



### Electrical Characteristics:

Item	Symbol	Condition	Specification
Sensor Resistance	$R_s$	Methane at 1000ppm/Air	5k ~ 15k
Change Ratio of Sensor Resistance	$R_s/R_o$	$\frac{R_s \text{ (Methane at 3000ppm/Air)}}{R_s \text{ (Methane at 1000ppm/Air)}}$	$0.60 \pm 0.05$
Heater Resistance	$R_H$	Room temperature	$30.0 \pm 3.0$
Heater Power Consumption	$P_H$	$V_H=5.0V$	$835 \pm 90mW$

### Standard Test Conditions:

TGS 816 complies with the above electrical characteristics when the sensor is tested in standard conditions as specified below:

- Test Gas Conditions:  $20^{\circ} \pm 2^{\circ}C$ ,  $65 \pm 5\%R.H.$
- Circuit Conditions:  $V_C = 10.0 \pm 0.1V$  (AC or DC),  
 $V_H = 5.0 \pm 0.05V$  (AC or DC),  
 $R_L = 4.0k\Omega \pm 1\%$

Preheating period before testing: More than 7 days

Sensor Resistance ( $R_s$ ) is calculated by the following formula:

$$R_s = \left( \frac{V_C}{V_{RL}} - 1 \right) \times R_L$$

Power dissipation across sensor electrodes ( $P_s$ ) is calculated by the following formula:

$$P_s = \frac{V_C^2 \times R_s}{(R_s + R_L)^2}$$

## ApolloSense Ltd